



APRIL 2020

Volume 9 Issue 4

VE3ERC-LUB

- President:** Brian VA3DXK
- Vice-President:** Ted VE3TRQ
- Secretary:** Tom VE3DXQ
- Treasurer:** Paul VA3PDC
- Trustee:** Wes VE3ML
- QSL Manager:** Tom VE3DXQ
- Repeater Trustee:** Wes VE3ML
- Website Admin:** Ted VE3TRQ
- Lighthouse:** Al VA3TET
- Maple Syrup Display:** Al VA3TET
- Newsletter:** Bob VE3IXX

ERC REPEATERS

- UHF 444.700 TONE: 131.8**
- UHF 444.700 TONE: 123.0**
- VHF 147.390 + TONE: 123.0**
- EMERGENCY SIMPLEX: 147.51**
- UHF- IRLP node 2404**
- VHF- IRLP node 2403, ECHOLINK node
VE3ERC-L VE3ERC-R**



**Field Day 2015.
Here's hoping for this year! See P. 4.**

**In an emergency, tune
Into our repeaters,
UHF 444.700 or
VHF 147.390 or
HF 3.755 LSB or
Simplex 147.510
For coordination and
assignments.**



THE PREZ SEZ!

This club is Radio-ACTIVE
 This club is Radio-ACTIVE



President's Update for April 2020

Elmira Radio Club VE3ERC – Meeting Announcement

Amateur radio clubs are expected to adapt to emergency and unusual or changing circumstances. Due to physical distancing restrictions of the COVID-19 pandemic prohibiting our in-person club meetings, the Elmira Amateur Radio Club VE3ERC Executive would like to announce the following change to our meetings that will come into effect immediately.

ERC Regular Monthly Meetings –
 are reinstated *virtually*

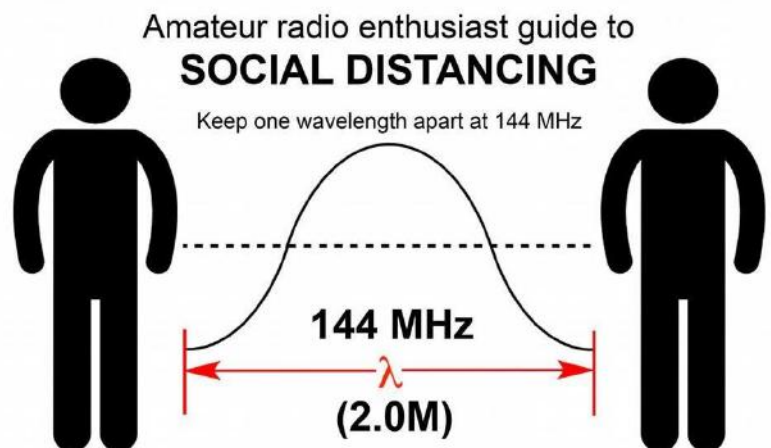
Our regular monthly club meetings will continue virtually using the **Google Meet** platform. This tool is similar to that used by RAC to facilitate their Board and Executive meetings nationally. Many other clubs are taking similar action and the Google Meet platform is an excellent way to facilitate face-to-face socializing and conduct our monthly business meetings.

On behalf of all members the ERC Executive would like to thank Ted VE3TRQ along with Paul VA3PDC's help in setting up this virtual platform for the club, conducting a test run of the system last month, and continuing to facilitate this option for us all through the foreseeable future.

The Executive VE3ERC

Here's the info you need to join the:
Elmira Radio Club VE3ERC on-line meetings.

- Just click on the link, and it should bring up your browser or Hangouts Meet app (on iOS or Android):
- To join the video meeting, click this link: <https://meet.google.com/pzm-rqrz-egt>
- When asked for your name, please put in your first name



and callsign.

- Otherwise, to join by phone, dial **+1 678-631-8954** and enter this PIN: **409 601 197#**
- "**pzm-rqrz-egt**" is the meeting code, in case you need it. Ted plans to be near the radio and will also have RF access. Connect any time you want. If you do not have audio on your computer, connect with your telephone (likely long distance – sorry about that). This link is the same as the last meeting - Ted intends to leave it static.

Elmira Radio Club List of Nominees 2020

List of nominees for Club Officer Elections

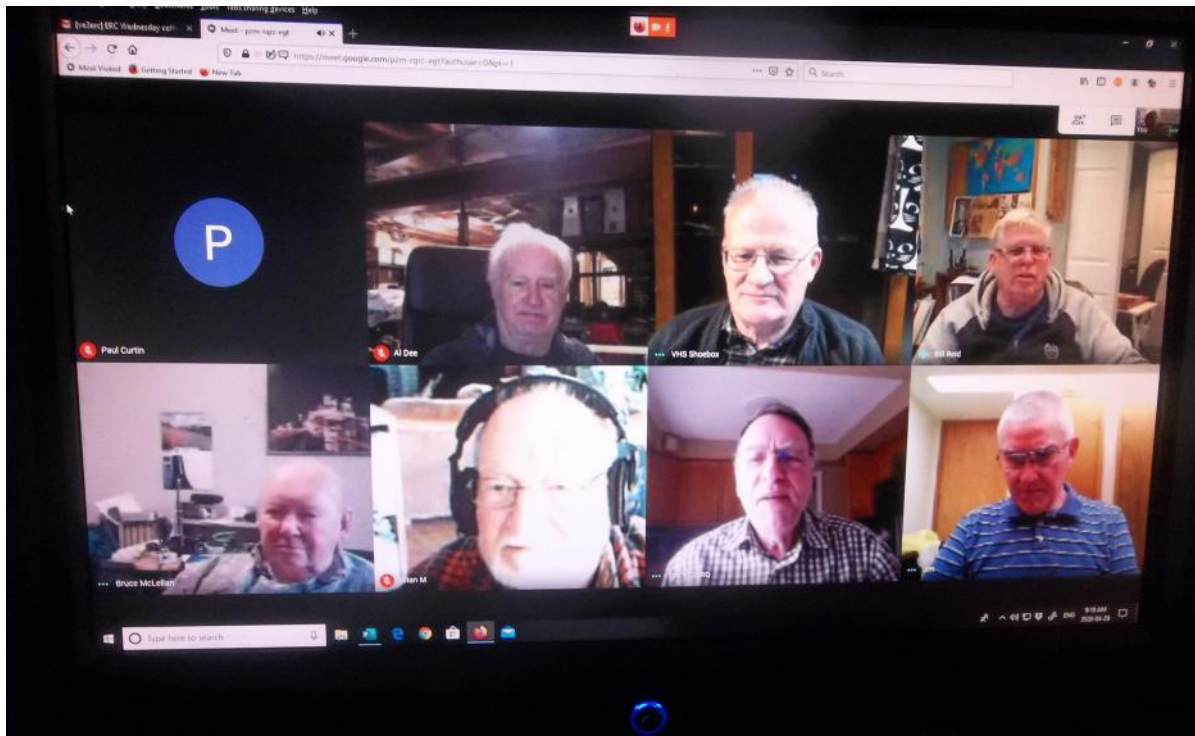
AGM_(virtual) May 27th, 2020

ELMIRA RADIO CLUB - VE3ERC

LIST of NOMINEES for Club Officer Elections, AGM

APRIL 22nd 2020

POSITION	POSITION	POSITION	POSITION	POSITION
President	Vice President	Treasurer	Secretary	Trustee
Incumbent/Nominee	Incumbent/Nominee	Incumbent/Nominee	Incumbent/Nominee	Incumbent/Nominee
Brian Filbey ^I	Ted Rypma ^I	Paul Curtin ^I	Kirk Sinclair ^N	Wes Snarr ^I
VA3DXK	VE3TRQ	VA3PDC	VA3KSX	VE3ML



First successful virtual Wednesday Morning Coffee Meeting.

Thanks to Bill VA3QB for sending Field Day Guidelines from the ARRL:**From ARRL Website :
ARRL Suggests Taking a Creative Approach to Field Day 2020
04/22/2020**

This year, ARRL Field Day promises to be a unique iteration of this annual event, with many individuals and groups coming up with new and interesting ways to adjust their approach. As an event, Field Day is structured to be versatile and can be adapted for any situation.

Many groups have asked how they can adjust their Field Day planning to address social-distancing guidelines that may be in effect in many areas of the country, as gathering at their traditional Field Day site may not be feasible or safe. Instead of participating in a group event this year, consider operating as a Class B, C, D, or E station, utilizing your own call sign.

ARRL will include club names for all participating stations in the published results, so the efforts of your club's members can be acknowledged. While we will not publish an aggregate club score, seeing the name of your club associated with various individual member's results is certainly a way to highlight your club's activity.

Myriad opportunities are possible in this year's Field Day setting. These are just a couple.

Consider having an intra-club competition among members, seeing who can make the most contacts during the event. You can award prizes or distribute certificates at a club meeting. This can be a fun way to bolster the activities of individual club members, even though they cannot all gather together at the same location this year.

Set up a Field Day Challenge with rival clubs in neighboring communities. See how many members of each club get on the air from their own stations and participate in the event. In addition to "bragging rights," perhaps certificates to the top-scoring individual entries in each category can be presented as part of this inter-club camaraderie.

One club is planning to conduct its Field Day as a 4A club group, with participants spaced to comply with social distancing guidelines within the required 1,000-foot diameter circle and operating individual stations. This club also plans to set up a "Get on the Air" (GOTA) station. The club's plan is to have the GOTA coach at the Field Day site, while GOTA operators participate via remote link.

Another club is planning to set up a remote-controlled station at its usual Field Day site, with club members taking turns controlling the station from their homes. The club is developing a schedule that outlines when each member of the club will be at the helm via the remote link.

Whatever approach you take to this year's Field Day, keep up to date with the current guidelines issued by local and state health agencies that may impact your proposed operation.

ARRL invites your stories about the interesting and creative ways you're planning to use to adapt your Field Day operation. Share these on the ARRL Field Day Facebook page.

**For the latest news and updates, visit the Field Day webpage.
— Thanks to ARRL Contest Program Manager Paul Bourque, N1SFE**

CONTRIBUTIONS TO VE3ERC-CLUB NEWSLETTER

Do you have an article you'd like to submit? Or photos? Do you have any comments you'd like to make?

Perhaps you'd like to share a photo of your shack, a special project you are working on or a special interest!

SEND THEM TO:

**Bob bobve3ixx@gmail.com
(519-787-2279)**



WEDNESDAY NITE NET CONTROLLERS

MARCH 11 - FRANK VA3FJM

MARCH 18 - TOM VE3DXQ

MARCH 25 - MEETING

APRIL 1 - BILL VA3QB

APRIL 8 - WES VE3ML

APRIL 15 - PAUL VE3PVB

APRIL 22 - MEETING

APRIL 29 - AL VE3DZZ

MAY 6 - BRIAN VA3DXX

MAY 13 - BOB VE3IXX

MAY 20 - TED VE3TRQ

MAY 27 - VIRTUAL MEETING

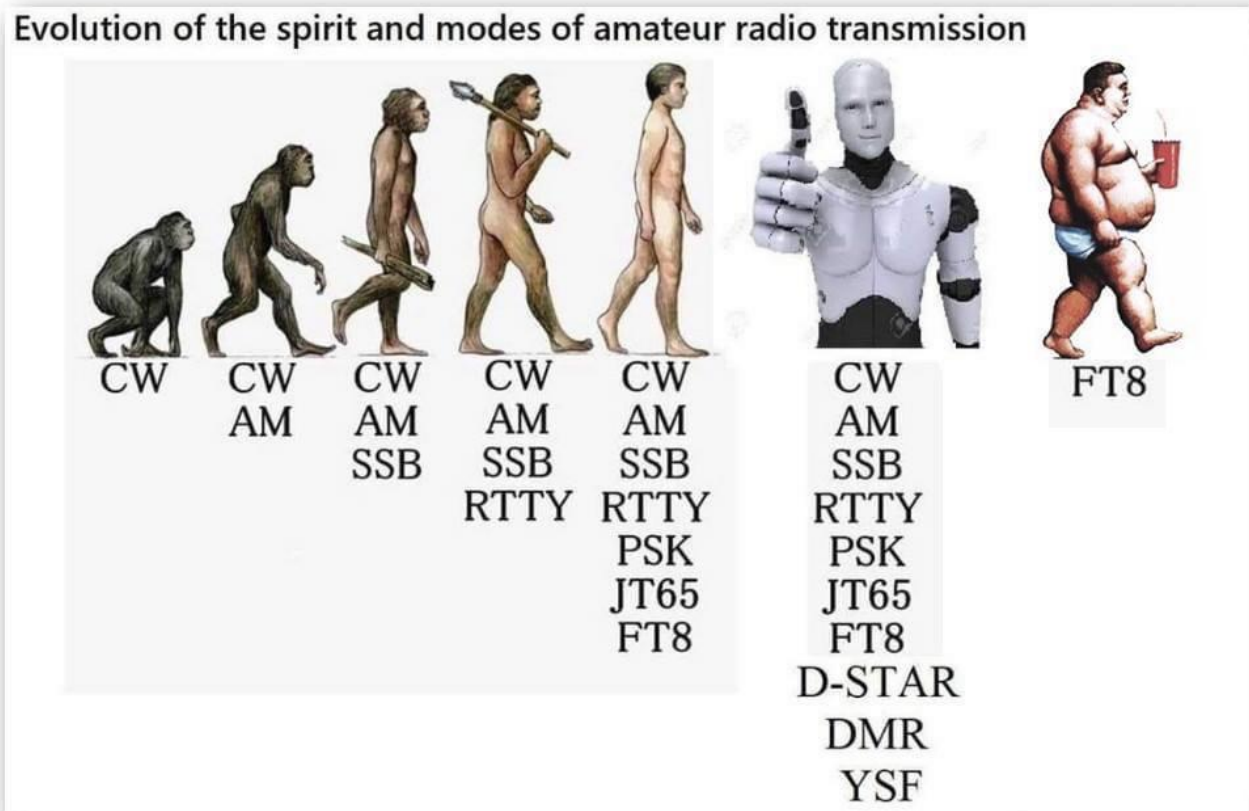
JUNE 3 - AL VA3TET

JUNE 10 - KIRK VA3KXS

JUNE 17 - REG VE3RVH

CORRESPONDENCE

Thanks to Tony VE3DWI for sending along this humorous cartoon.



Tom VE3DXQ sent along this news website about radio amateurs during COVID-19
<https://www.citynews1130.com/2020/04/09/amateur-radio-operators-turn-to-analog-tech-to-communicate-during-pandemic/>

Mike VE3MKX sent out the website which has archived hundreds of old magazines such as "Ham Radio" below which published from 1968 to 1990. It will provide loads of interesting reading on literally all aspects of radio, even including articles and stories of the "old time radio broadcasts."

Loads of enjoyment:

<https://www.americanradiohistory.com/index.htm#DX>

On a similar topic Tony VE3DWI sent a link to an archive For "73" Magazine. Lots of issues were available.

<https://archive.org/details/73-magazine>



VE3ERC Elmira Radio Club Inc.

Minutes from April 22, 2020

1. Call to Order & Welcome

The virtual meeting was open at 7:30 pm by our club president Brian VA3DXK

2. Roll Call: Ted VE3TRQ, Bill VA3QB, Brian VA3DXK, Brian VE3YBM, Bruce VE3QB, Frank VA3FJM, Kirk VA3KXS, Judd VE3WXU, Ken VE3KCY, Roger VE3RKS, Tony VE3DWI, Paul VA3PDC, Tom VE3DXQ, VE3DCC Rich, Wes VE3ML, Bob VE3IXX, VE3BYP Graham, Al VA3DZZ, Paul VE3PVB, VE3JLC JIM, VE3KCY Ken, John VA3WPJ, Mark KC8FQV (guest), VE3JMU Jim.

3. **Adopt Agenda :** Brian VA3DXK made one change to agenda that was to Item 8 Committee Reports to add field Day.

4. Presentations/Speakers/Workshop: There will be an e social gathering at the end of business.

5. Secretary's Report: Tom VE3DXQ asked if there were any errors or omission to March 2020 minutes. None were mentioned. Tom asked for minutes to be accepted. Seconded by Brian VE3YBM.

6. Treasurer's Report: Paul VA3PDC said the only change from last month is that he received the G5RV antenna that he ordered. He also posted the financial report so we could all see it on our computer screens. Paul made a motion to have the Treasurer's Report accepted seconded by Tom VE3DXQ carried.

7. President's Report: Brian VA3DXK reminded us that the AGM meeting is in May and we should keep that in mind. Brian said the executive decided to use google meets to have our meeting as a virtual meeting while the covid-19 emergency continues. He also thanked Paul VA3PDC and Ted VE3TRQ for testing out the platform and testing it out.

8. Committee Reports: Safety Officer-Tom VE3DXQ said he still has traffic cones, safety vests, and safety goggles in his Garage, Tom also reminded those on the virtual meeting about social distancing and wearing a mask when appropriate. Brian VA3DXK advised that the ERC will have it's meeting on google meet until the government says it is ok to have social gatherings.

Field Day- Bill VA3QB said he spoke to the Guelph Club and said it is not likely we will have a regular field day in an open field somewhere. He said we could see if AARL could let us operate at home using various modes and bands. Another option would be a full fledged field day at the runway at Northfield and #86. We could also have a joint effort with another club this would be done at home. Bill VE3QR has offered to host the server with the logging software. Last option would be everybody on there own at home. Roger VE3RKS said AARL will not be changing any rules for field day.

Ham Tech- Frank VA3FJM said that due to the situation it is impossible to set this up as he can not get a hold of people or set up the venue. Therefore he said best to put it on hold until next year. Brian VA3DXK thanked Frank for all his efforts so far. Rich VE3DCC said to keep Ham Tech on the agenda. Brian said that next year he would hope that next year there will be more volunteers to help Frank with Ham Tech.

Nominations Committee: Brian VA3DXK said that we should have had a nominations committee in place well before this meeting. However no one stepped forward until this past Monday. A person stepped up via email. Brian said that although no nominations were made by a committee it is allowed under our bylaws to have nominations from the floor.

Brian VA3DXK opened nominations starting with the position of President. Bill VA3QB nominated Brian Filbey for the position of President, Brian called out two more times for nominations and there were no other nominations for president. Brian VA3DXK accepted the nomination. Brian called out the nomination for Vice President. Rich VE3DCC nominated the incumbent Ted Rypma. Brian called out twice more for nominations for Vice President and none were mentioned. Ted VE3TRQ accepted the nomination. Brian VA3DXK opened nominations for Treasurer. Bill VA3QB nominated incumbent Paul Curtin. Brian VA3DXK called twice more for nominations and none were forthcoming. Paul VA3PDC accepted the nomination. Tom Mahony VE3DXQ will be stepping down from the Secretary Position at the end of August. Brian VA3DXK opened nominations for the position of Secretary. Bob VE3IXX nominated Rich VE3DCC and Rich declined with thanks. Kirk Sinclair VA3KXS nominated himself. Brian put out the call for further nominations and none were forthcoming. Kirk Sinclair is the nominee for Secretary. Brian VA3DXK thanked Kirk for stepping up. Brian VA3DXK opened the nominations for the position of Trustee. Bill VA3QB nominated Wes Snarr for the position of Trustee. Brian VA3DXK put out the call for nominee twice more and none were forthcoming. Wes VE3ML accepted. Brian VA3DXK put out a final call for nominees and none were mentioned. The nominations were closed.

The List of nominees are Brian Filbey President, Ted Rypma Vice President, Paul Curtin Treasurer, Kirk Sinclair Secretary, Wes Snarr Trustee.

9. Unfinished Business: Brian VA3DXK continues to update the club roster. He also mentioned the importance of people in the club getting involved in the various committees to keep the club vibrant.

10. New Business: Bill VA3QB said that likely we will not be going back to Luther Village for our Wednesday morning coffee social. Bill mentioned the Sunset Grill at Weber and Northfield. Rich VE3DCC said that the KWARC club are meeting on Zoom instead of Angels Diner. Tom VE3DXQ mentioned that we will need to find a new venue also for our silent key memorial dinner as Cross Roads family Restaurant has closed permanently. Brian VA3DXK asked Ted VE3TRQ if he was ok with running the Wednesday coffee social on Google meet and Ted said he is ok with that. Bruce VE3QB mentioned that the Point Clark Light house event is coming up in August. Paul VA3PDC said he did register us for the lighthouse in August. Due Covid 19 situation it is uncertain if this will happen.

11. ANNOUNCEMENTS: • Annual Club membership dues are past due if not paid up. Paul VA3PDC said there are two ways to pay by check or email transfer • Feed mill 2m Repeater (Brian VA3DXK) – on hold until social distancing regulations relax • Waterloo Marathon April 26, 2020 – Cancelled due to Covid-19 Pandemic • Dayton Hamvention May – Cancelled • CAER Emergency Preparedness Open House – Cancelled • Central Ontario Hamfest June – Cancelled • RAC Spring Field Day 4th weekend June – Cancelled • Next meeting: Annual General Meeting (AGM) Wed. May. 27th, 2020

12. Adjournment • Motion to adjourn the meeting, followed by e-discussion

13. Adjournment – meeting adjourned at 8:40 pm.

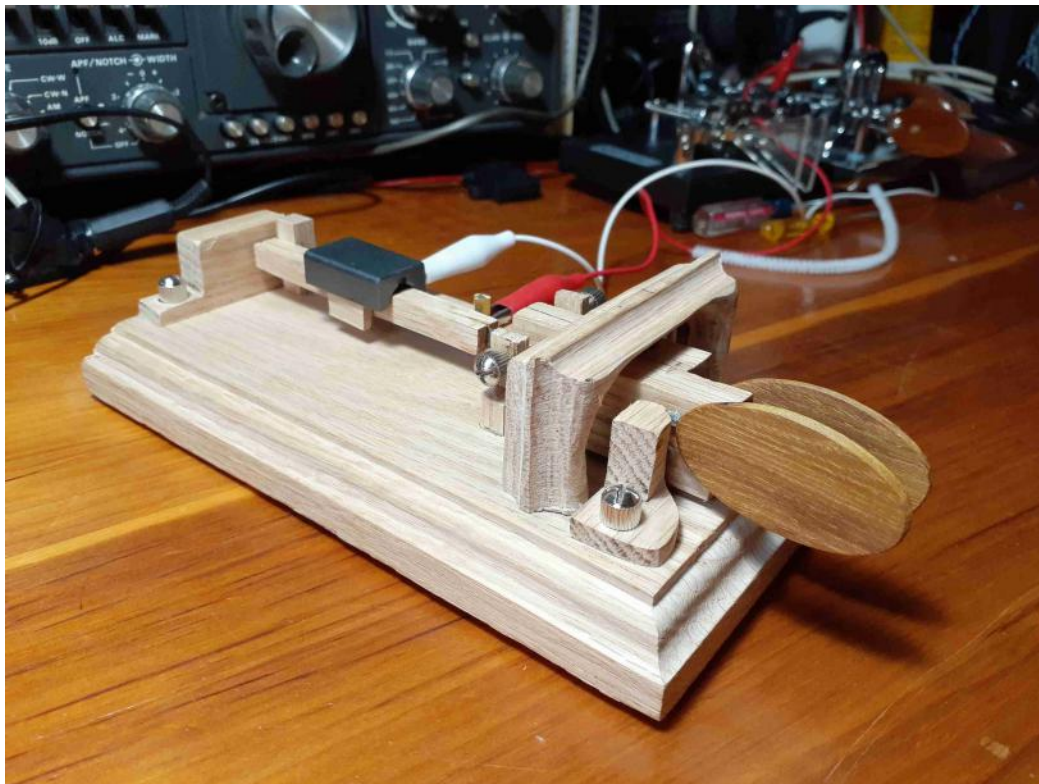
Mike VE3MKX sent a picture of this great homebrew project:

A very nice project built by Don ve3ids

a home brew bug. Still have some work to do on the dash contact, It uses magnetic return instead of springs and magnetic reed switches. The main spring is a piece of plumbers drain snake. I have to shellac it after I'm done with it.

Great Job !!

73 Mike



While Dan's (KB6NU) blog speaks specifically about Amateur Radio licensing in the U.S. and we have a Basic and Advanced question bank to obtain either a Basic or Advanced license, he poses some thought provoking ideas about question banks in general. As always, Dan has an interesting perspective that can initiate discussion.

A modest proposal (for the next Extra Class question pool)

By Dan Romanchik, KB6NU

At our last club meeting, I was discussing the changes to the Extra Class question pool with someone, and the topic of memorizing the answers popped up. As I always do, I mentioned that many of the questions you can only get right by memorizing the answer. At that point, someone down the way piped up. "Not me," he said, "I studied the material so that I didn't have to memorize the answers."

At that point, the president called the meeting to order, so I



didn't get to challenge him on that point, but that statement is just plain wrong. First of all, it's true that some questions you can only get right by memorizing the answer. Almost all of the rules questions are that way, for example.

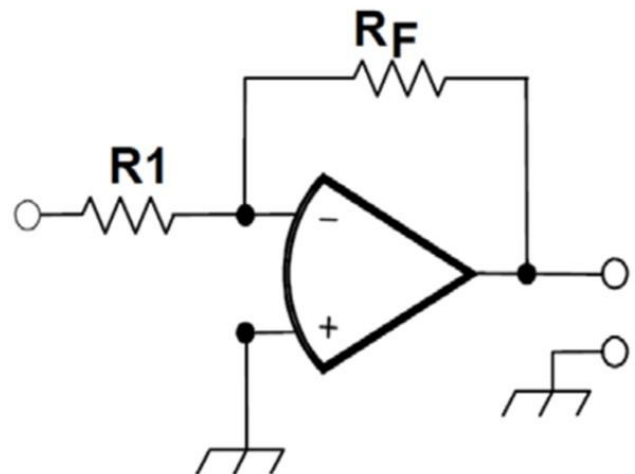
Secondly, there is no way to study the rest of the material in any depth and still have time to actually be an amateur radio operator. The amount of material that the Extra Class question pool covers takes an electrical engineering student four years or more to study thoroughly. And even then, some topics are bound to get short shrift.

So, we're back to memorizing. I would say that even an "engaged" person will memorize about half the answers. I'd go even further and say that those that "study" the technical topics, don't study it as thoroughly as a college student would.

For example, there are a dozen questions in Section E7G – Active filters and op-amp circuits: active audio filters; characteristics; basic circuit design; operational amplifiers. Despite the name, you don't need to know how to design or build an op-amp filter. All you really need to know is that op-amps are high gain devices if you have a circuit like the one shown, $V_{out}/V_{in} = R_F/R_1$.

These concepts are relatively easy to learn, but there are also two questions on filter "ringing." Honestly, you're better off just memorizing the answers to those questions unless you have a real interest in active filters that use op amps. Wading into the mathematics isn't all that hard, but when you consider this is only one of dozens of topics, you can see where doing any kind of in-depth study is going to take you months, if not years, to accomplish.

Figure E7-3



A modest proposal

The end result of this approach to testing is that we have many Extra Class licensees who know about a lot of things, but not in very much depth. Perhaps that's OK. Perhaps that's just what the question pool committee of the National Council of Volunteer Examiner Coordinators (NCVEC) was shooting for. If, however, we want an Extra Class license to denote that the licensee has some real technical expertise, I have a modest proposal.

Basically, my idea is that instead of testing on an incredibly wide range of topics, we test applicants on a set of basics, plus one or two particular topics. These would be topics that the person has expertise in already or enough of an interest in to study the topic in some depth.

Below are the topics that I would consider to be basic and some that I consider to be more specialized. This is, of course, not an extensive list.

Basic questions (20 questions, everyone takes this part of the exam)

Safety

Rules and regulations

Electrical principles/basic circuits

Technical Interests (Choose two, 20 questions each)

Antennas and transmission lines
Radio wave propagation
EMI/RFI
Analog and digital design
Digital communications and networking
Software/software-defined radio
Operating: contests, DXing, direction finding, etc.
VHF/UHF

The questions in each of the technical interest question pools would be designed to really test the knowledge of the person taking the test. We'd have to figure out a way to make them difficult enough so that one couldn't just simply memorize the answer. Questions could appear in one or more technical interest test. For example, a question on VHF/UHF propagation could appear in both the Radio Wave Propagation and VHF/UHF question pools.

Having said all this, I realize that this would not be easy to implement. You'd have to first decide on the topics and then enlist experts for each of the topics and get them to come up with a list of 80 – 100 questions each.

I realize that this has very little chance of being adopted, but it's interesting to think about, no? And, we have four years to do this, so it could be possible.

=====

Dan Romanchik, KB6NU, is the author of the KB6NU amateur radio blog (KB6NU.Com), the "No Nonsense" amateur radio license study guides (KB6NU.Com/study-guides/), and often appears on the ICQPodcast (icqpodcast.com). When he's not thinking up ways to make the lives of the NCVEC question pool committee more difficult, he likes to build stuff and operate CW on the HF bands.

Links

Ontars— www.ontars.com
Elmira Radio Club— www.ve3erc.ca
Trans-Provincial Net - <http://tpn7055.com/>
Radio Amateurs of Canada— www.rac.ca
KW Amateur Radio Club - www.kwarc.org
Guelph Amateur Radio Club— www.garc.ca